



MOGOTEX

TEXTILE THAT WORKS

WORKWEAR

CATALOG

WWW.MOGOTEX.BY



MEN'S WORK SUIT M 6215-10

PURPOSE:

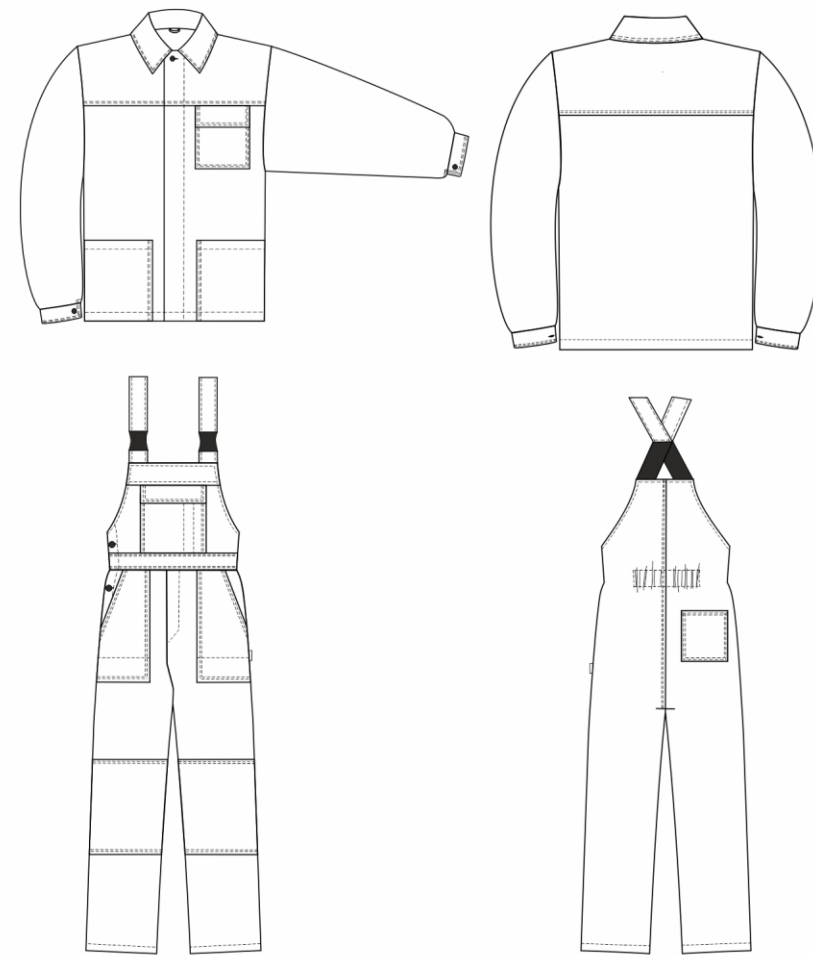
Special outfit for protecting workers from general industrial pollution and mechanical impacts.

GOST 27575-87

The products comply with the requirements of TR CU 019/2011

- Corporate symbols can be applied
- Reflective strip insert is possible

Workwear for protection from general industrial pollution



MEN'S WORK SUIT M 6215-10

- jacket and overalls
- central concealed fastening with loops and buttons
- a bib and brace overalls with a fastening in the right side seam and fly with loops and buttons
- reinforcing pads in the knee area
- adjustment of the width of the overalls along the waistline of the back

MATERIALS:

- **Fabric:** «Greta» art. 4C5-KB dyed + water-repellent
- **Composition:** cotton 51%, polyester 49%
- **Weight:** 210 g/m²
- **Finishing:** water-repellent

ЗМи

protection from general industrial pollution and mechanical impact

Workwear for protection from general industrial pollution



MEN'S WORK SUIT M 6215A-10

PURPOSE:

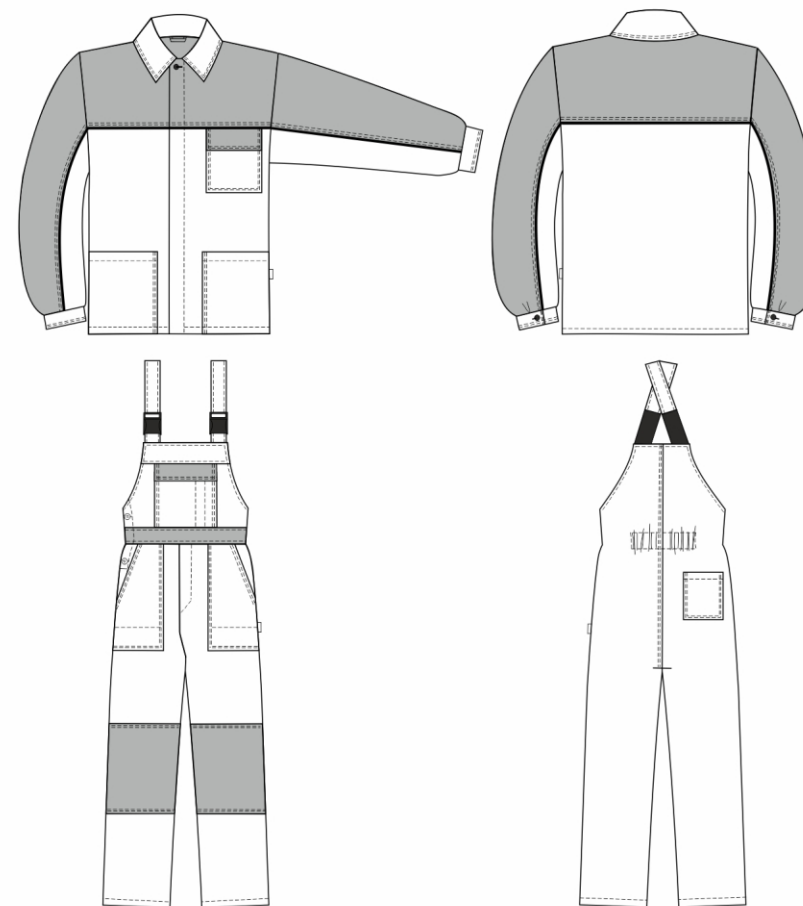
Special outfit for protecting workers from general industrial pollution and mechanical impacts.

GOST 27575-87

The products comply with the requirements of TR CU 019/2011

- Corporate symbols can be applied
- Reflective strip insert is possible

Workwear for protection from general industrial pollution



MEN'S WORK SUIT M 6215A-10

- jacket and overalls
- central concealed fastening with loops and buttons
- a bib and brace overalls with a fastening in the right side seam and fly with loops and buttons
- reinforcing pads in the knee area
- adjustment of the width of the overalls along the waistline of the back

MATERIALS:

- **Fabric:** «Greta» art. 4C5-KB dyed + water-repellent
- **Composition:** cotton 51%, polyester 49%
- **Weight:** 210 g/m²
- **Finishing:** water-repellent

ЗМи

protection from general industrial pollution and mechanical impact

Workwear for protection from general industrial pollution



MEN'S WORK SUIT M 6214-10

PURPOSE:

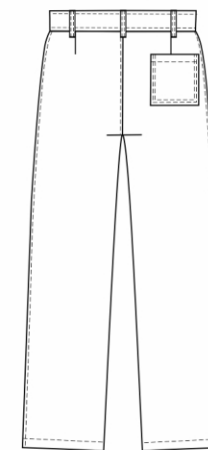
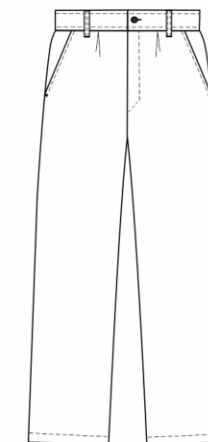
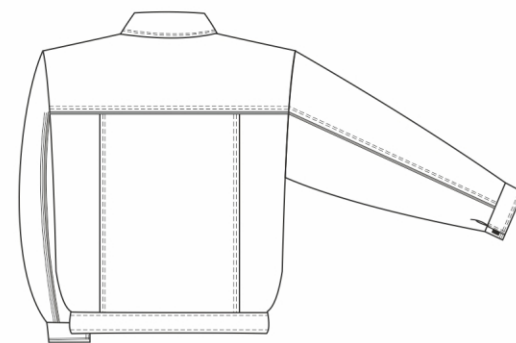
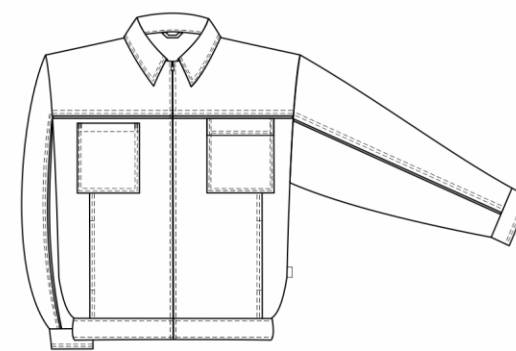
Special outfit for protecting workers from general industrial pollution and mechanical impacts.

GOST 27575-87

The products comply with the requirements of TR CU 019/2011

- Corporate symbols can be applied
- Reflective strip insert is possible

Workwear for protection from general industrial pollution



MEN'S WORK SUIT M 6214-10

- jacket and trousers
- the jacket has a central zip fastening
- fly fastening with loops and buttons

MATERIALS:

- **Fabric:**
«Greta» art. 4C5-KB dyed + water-repellent
- **Composition:**
cotton 51%, polyester 49%
- **Weight:**
210 g/m²
- **Finishing:**
water-repellent

3Mи

protection from general industrial pollution and mechanical impact

Workwear for protection from general industrial pollution



MEN'S WORK SUIT M 6204-10

PURPOSE:

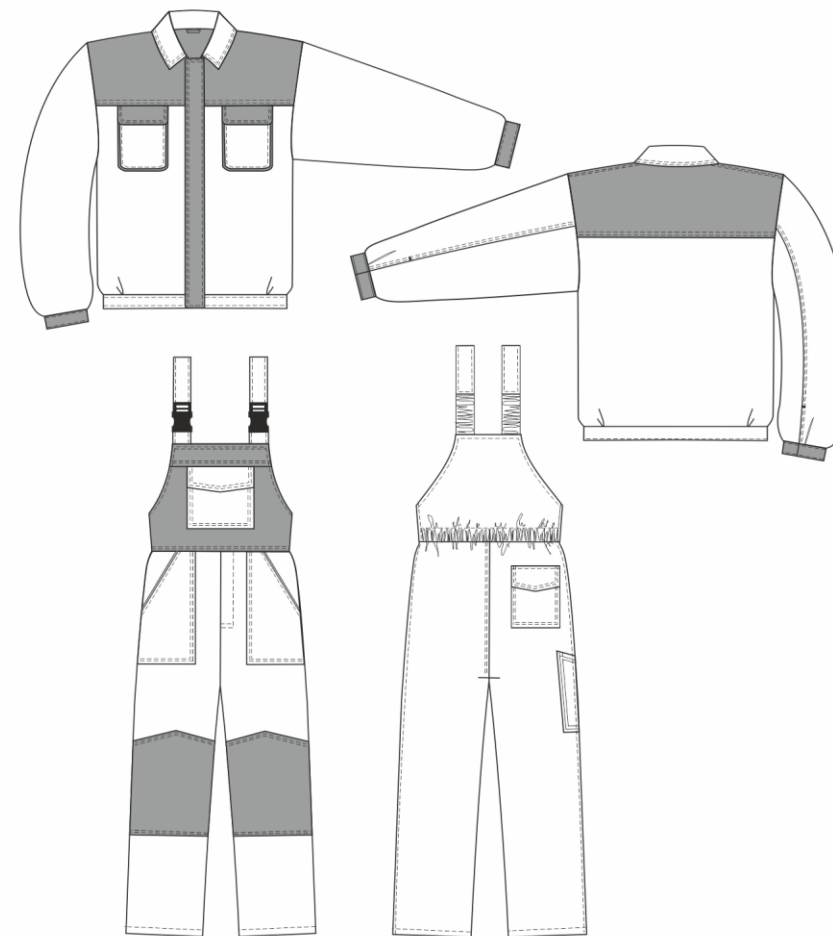
Special outfit for protecting workers from general industrial pollution and mechanical impacts.

GOST 27575-87

The products comply with the requirements of TR CU 019/2011

- Corporate symbols can be applied
- Reflective strip insert is possible

Workwear for protection from general industrial pollution



MEN'S WORK SUIT M 6204-10

- jacket and overalls
- jacket closure with zipper
- fly closure with zipper
- reinforcing pads in the knee area
- adjustment width

MATERIALS:

- **Fabric:**
«Greta» art. 4C5-KB dyed + oil, water-repellent
- **Composition:**
cotton 51%, polyester 49%
- **Weight:**
210 g/m²
- **Finishing:**
water-repellent

ЗМи

protection from general industrial pollution and mechanical impact

Workwear for protection from general industrial pollution



MEN'S WORK SUIT M 0902-1

PURPOSE:

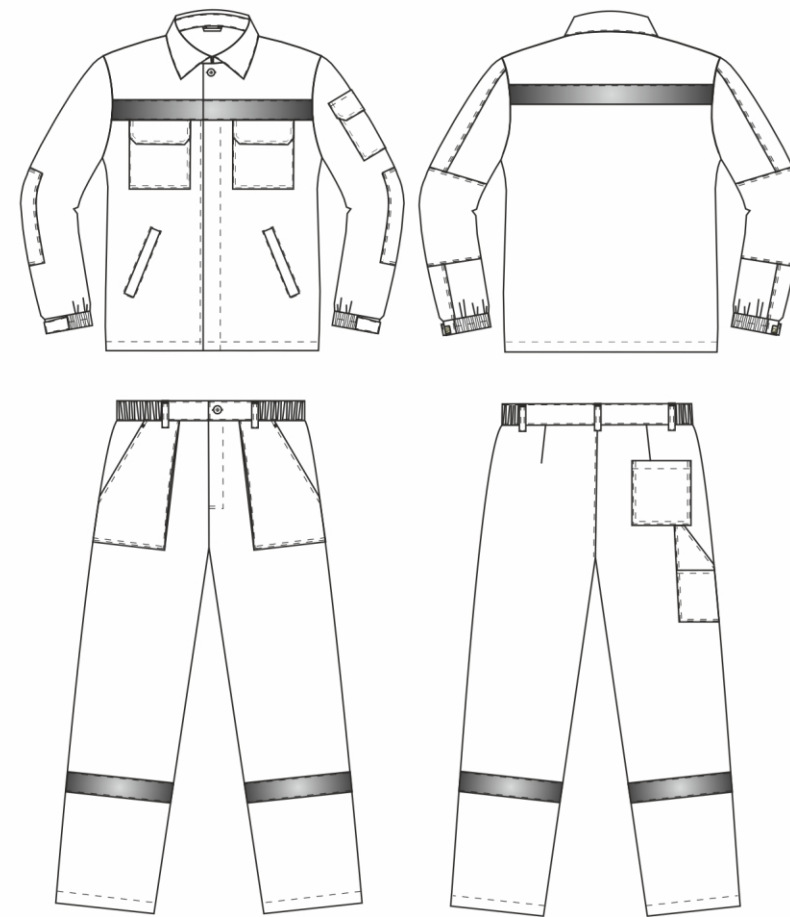
Special outfit for protecting workers from general industrial pollution and mechanical impacts.

GOST 27575-87

The products comply with the requirements of TR CU 019/2011

- Corporate symbols can be applied

Workwear for protection from general industrial pollution



MEN'S WORK SUIT M 0902-1

- jacket and trousers
- central hidden clasp for loops and buttons
- the middle seam of the front halves is finished with a fastener with loops and buttons
- front halves of trousers with side patch pockets
- reinforced pads in the elbow area
- reflective elements

MATERIALS:

- **Fabric:** «Greta» art. 4C5-KB dyed + water-repellent
- **Composition:** cotton 51%, polyester 49%
- **Weight:** 210 g/m²
- **Finishing:** water-repellent

3Mи

protection from general industrial pollution and mechanical impact

Workwear for protection from general industrial pollution



MEN'S WORK SUIT M 00139-0

PURPOSE:

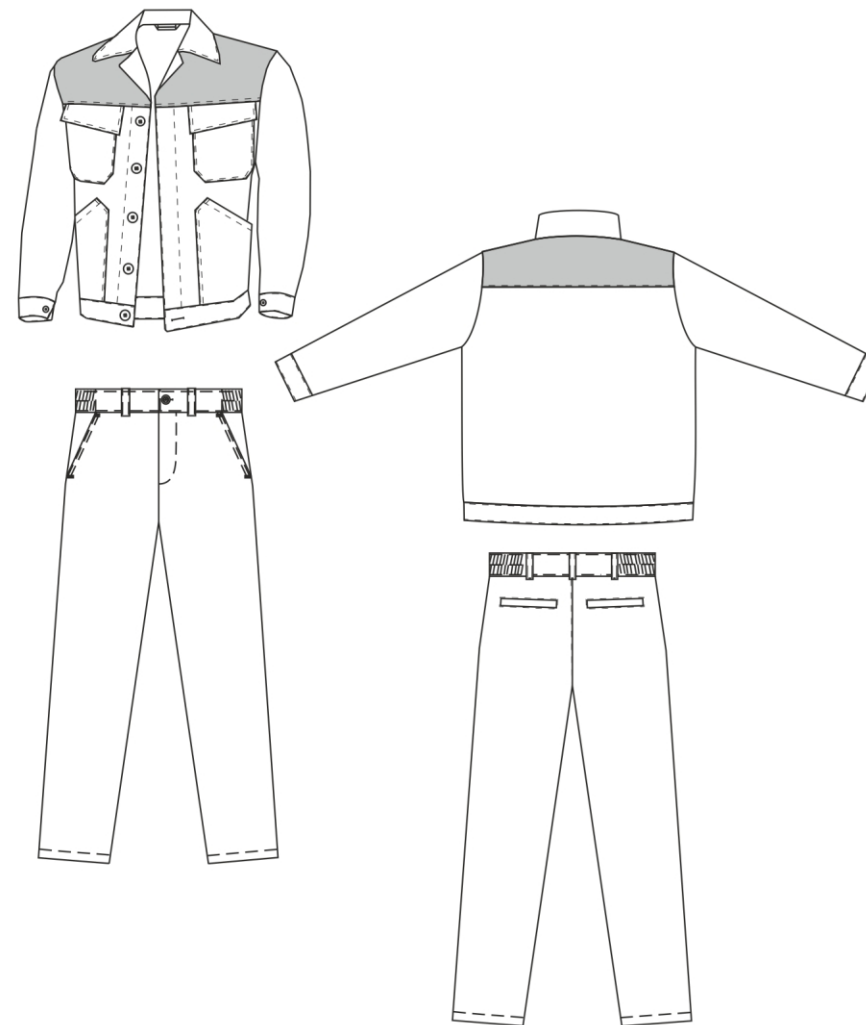
Special outfit for protecting workers from general industrial pollution and mechanical impacts.

GOST 27575-87

The products comply with the requirements of TR CU 019/2011

- Corporate symbols can be applied
- Reflective strip insert is possible

Workwear for protection from general industrial pollution



MEN'S WORK SUIT M 00139-0

- jacket and trousers
- straight-cut jacket with concealed button and loop fastening
- adjustable collar
- jacket with a sewn-on belt
- straight-cut trousers with a belt and a zip fastening on the tape
- trousers with side pockets and pockets on the back halves

MATERIALS:

- **Fabric:** «Greta» art. 4C5-KB dyed + water-repellent
- **Composition:** cotton 51%, polyester 49%
- **Weight:** 210 g/m²
- **Finishing:** water-repellent

3Mи

protection from general industrial pollution and mechanical impact

Workwear for protection from general industrial pollution



MEN'S WORK SUIT M 00045-0

PURPOSE:

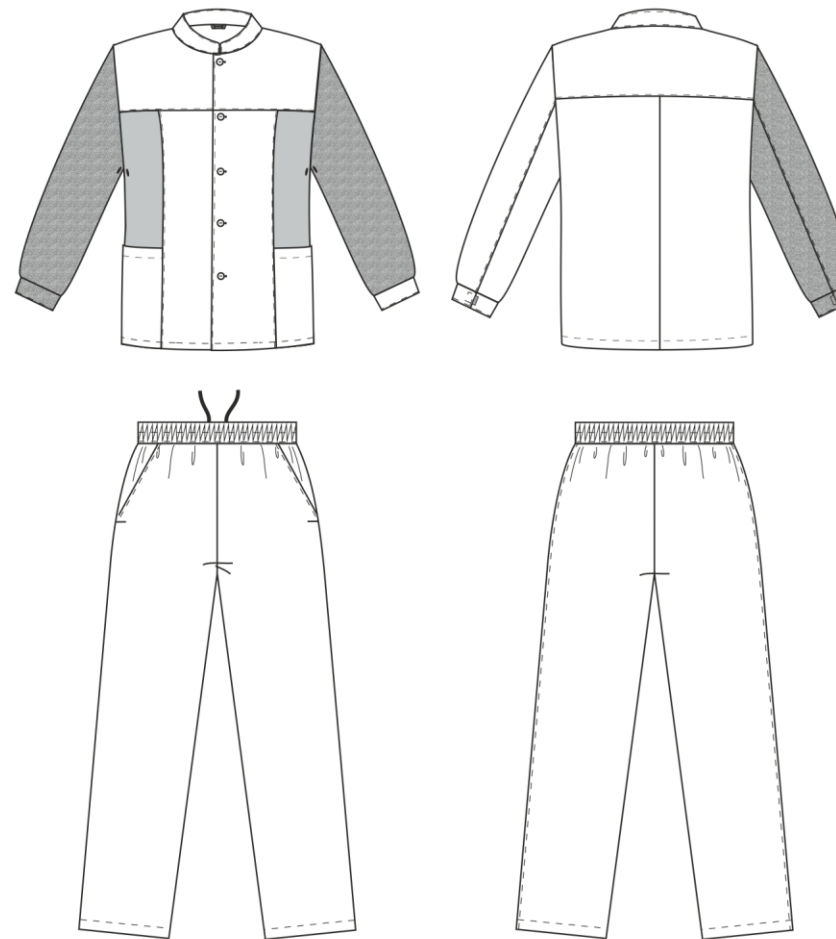
Special outfit for protecting workers from general industrial pollution and mechanical impacts.

GOST 27575-87

The products comply with the requirements of TR CU 019/2011

- Corporate symbols can be applied
- Reflective strip insert is possible

Workwear for protection from general industrial pollution



MEN'S WORK SUIT M 00045-0

- jacket and trousers
- jacket with a central fastening on through loops and buttons
- straight-cut trousers with side pockets with slanted entry
- the trousers have a waistband with elastic band

MATERIALS:

- **Fabric:** «Greta» art. 4C5-KB dyed + water-repellent
- **Composition:** cotton 51%, polyester 49%
- **Weight:** 210 g/m²
- **Finishing:** water-repellent

3Mи

protection from general industrial pollution and mechanical impact

Workwear for protection from general industrial pollution



MEN'S WORK SUIT M 00187-0

PURPOSE:

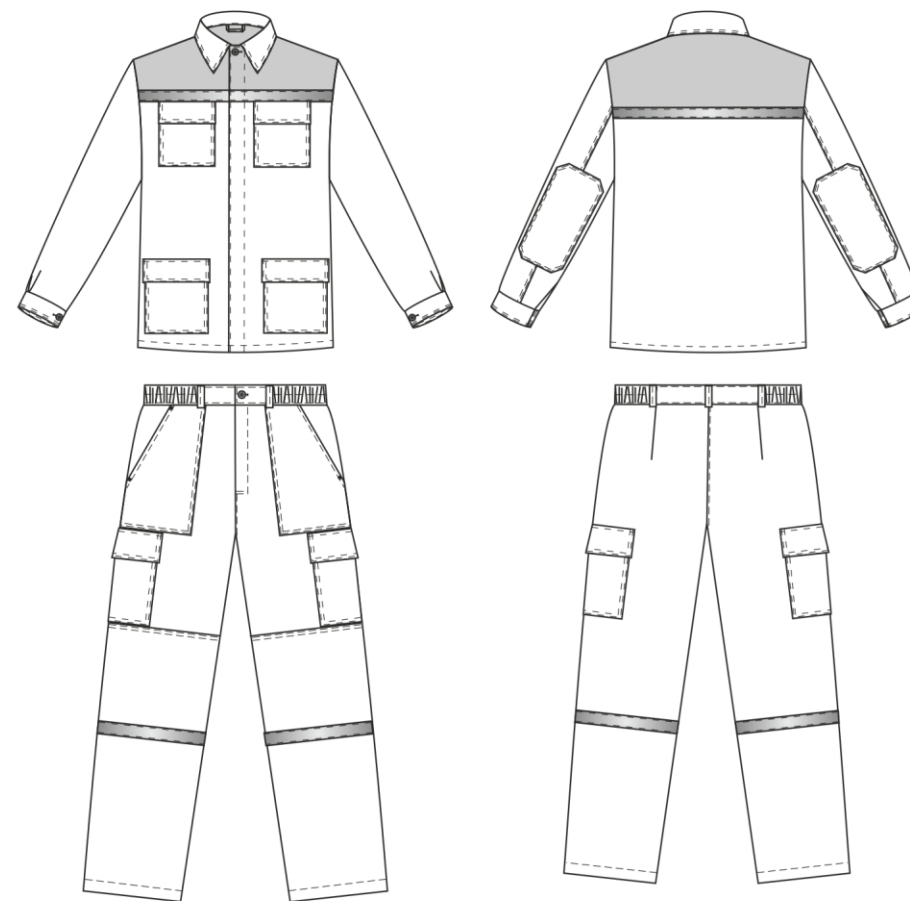
Special outfit for protecting workers from general industrial pollution and mechanical impacts.

GOST 27575-87

The products comply with the requirements of TR CU 019/2011

- Corporate symbols can be applied

Workwear for protection from general industrial pollution



MEN'S WORK SUIT M 00187-0

- jacket and trousers
- jacket with central concealed fastening with loops and buttons
- in the middle seam of the front halves, a fastener is processed with four overcast loops and buttons
- front halves of trousers with side patch pockets
- reinforced pads in the elbow and knee area
- reflective elements

MATERIALS:

- **Fabric:**
art. 00C65-KB dyed + softening finishing
- **Composition:** cotton 76%, polyester 24%
- **Weight:** 254 g/m²
- **Fabric for yoke:**
art. 4C5-KB dyed + water-repellent
- **Composition:** cotton 51%, polyester 49%
- **Weight:** 210 g/m²
- **Finishing:** softening

3Mи

protection from general industrial pollution and mechanical impact

Workwear for protection from general industrial pollution



MEN'S WORK SUIT M 0949-2

PURPOSE:

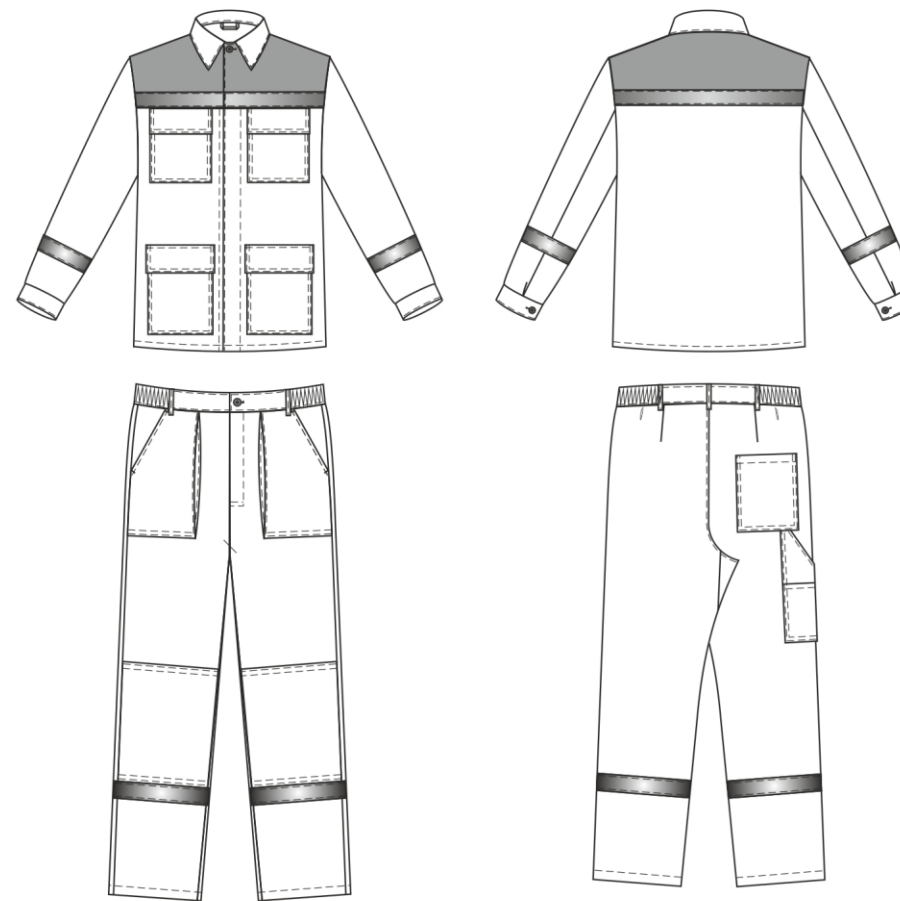
Special outfit for protecting workers from general industrial pollution and mechanical impacts.

GOST 27575-87

The products comply with the requirements of TR CU 019/2011

- Corporate symbols can be applied

Workwear for protection from general industrial pollution



MEN'S WORK SUIT M 0949-2

- jacket and trousers
- jacket with a central fastening with loops and buttons
- in the middle seam of the front halves, a fastener is processed with four overcast loops and buttons
- front halves of trousers with side patch pockets
- reinforced pads in the elbow and knee area
- reflective elements

MATERIALS:

- **Fabric:** «Greta» art. 4C5-KB dyed + water-repellent
- **Composition:** cotton 51%, polyester 49%
- **Weight:** 210 g/m²
- **Finishing:** water-repellent

3Mи

protection from general industrial pollution and mechanical impact

Workwear for protection from general industrial pollution



WOMEN'S WORK SUIT M 0072-0

PURPOSE:

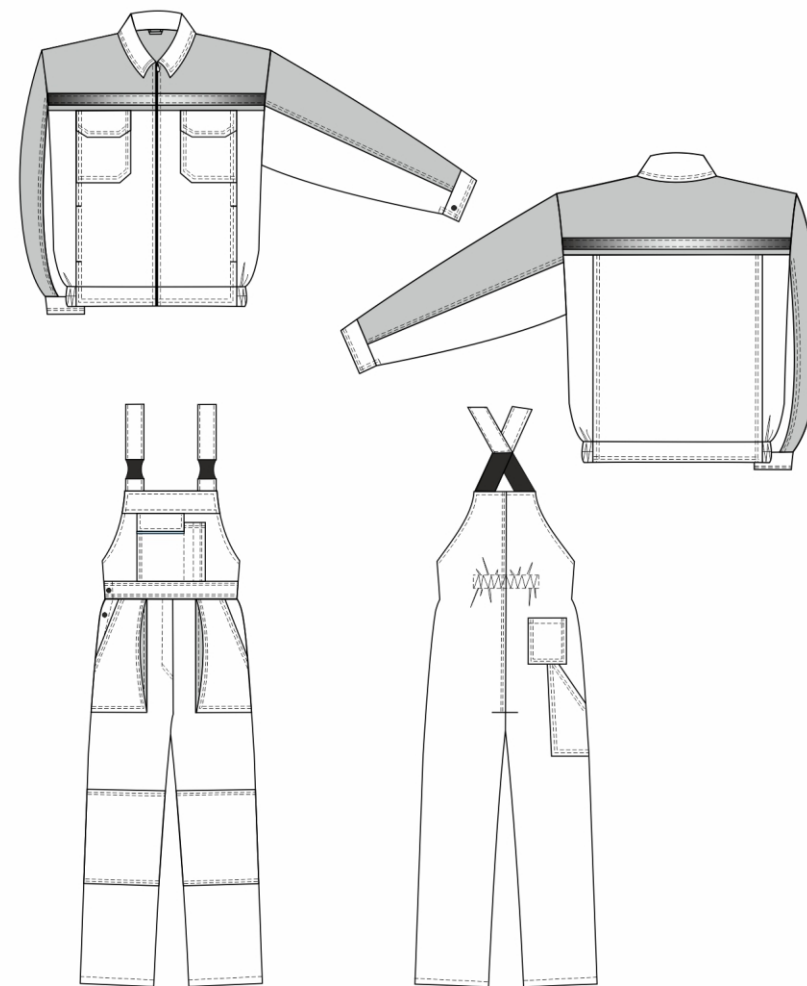
Special outfit for protecting workers from general industrial pollution and mechanical impacts.

GOST 27574-87

The products comply with the requirements of TR CU 019/2011

- Corporate symbols can be applied

Workwear for protection from general industrial pollution



WOMEN'S WORK SUIT M 0072-0

- jacket and overalls
- jacket closure with zipper
- the overalls are fastened with loops and buttons at the side seam fly
- reinforced pads in the knee area
- adjustment width
- reflective elements

MATERIALS:

- **Fabric:**
«Polet-M» art.06C27-KB dyed + petroleum, oil, water-repellent
- **Composition:**
cotton 74%, polyester 26%
- **Weight:**
263 g/m²
- **Finishing:**
petroleum, oil, water-repellent

3Mи

protection from general industrial pollution and mechanical impact

Workwear for protection from general industrial pollution



MEN'S JACKET M 6010-09

PURPOSE:

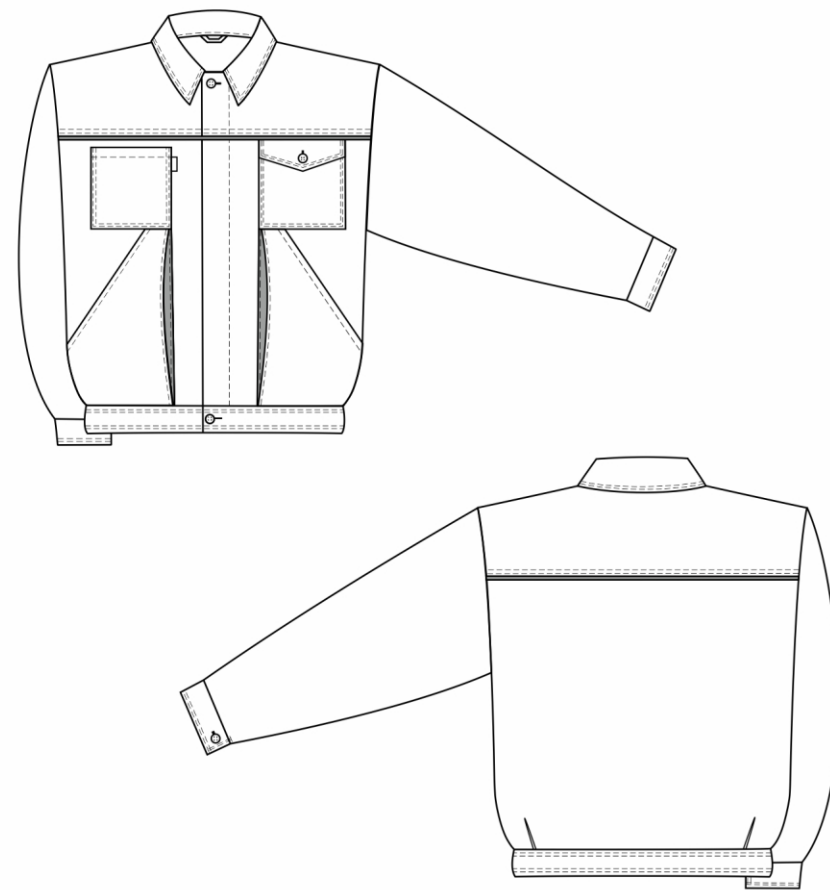
Special outfit for protecting workers from general industrial pollution and mechanical impacts.

GOST 27575-87

The products comply with the requirements of TR CU 019/2011

- Corporate symbols can be applied
- Reflective strip insert is possible

Workwear for protection from general industrial pollution



MEN'S JACKET M 6010-09

- central concealed fastening with loops and buttons

MATERIALS:

- **Fabric:** «Greta» art. 4C5-KB dyed + water-repellent
- **Composition:** cotton 51%, polyester 49%
- **Weight:** 210 g/m²
- **Finishing:** water-repellent

3Ми

protection from general industrial pollution and mechanical impact

Workwear for protection from general industrial pollution



MEN'S JACKET M 6011-09

PURPOSE:

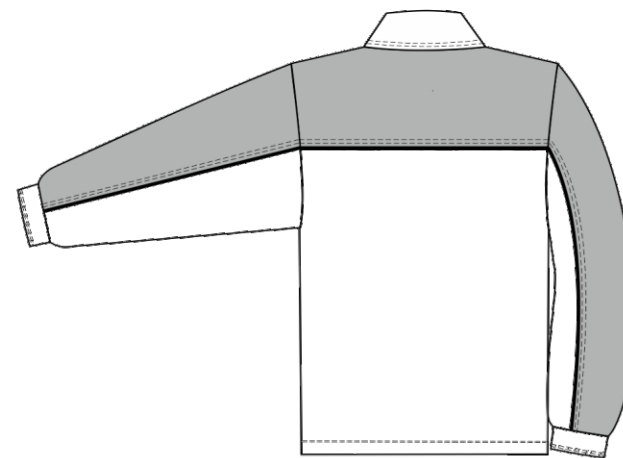
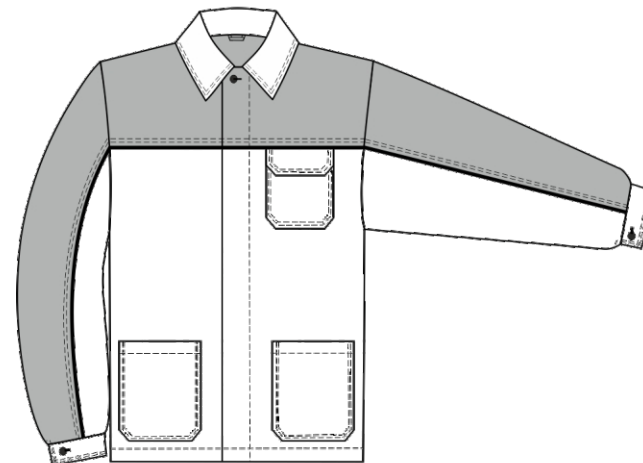
Special outfit for protecting workers from general industrial pollution and mechanical impacts.

GOST 27575-87

The products comply with the requirements of TR CU 019/2011

- Corporate symbols can be applied
- Reflective strip insert is possible

Workwear for protection from general industrial pollution



MEN'S JACKET M 6011-09

- central concealed fastening with loops and buttons

MATERIALS:

- **Fabric:**
«Greta» art. 4C5-KB dyed + water-repellent
- **Composition:**
cotton 51%, polyester 49%
- **Weight:**
210 g/m²
- **Finishing:**
water-repellent

3Mи

protection from general industrial pollution and mechanical impact

Workwear for protection from general industrial pollution



MEN'S JACKET M 6141-10

PURPOSE:

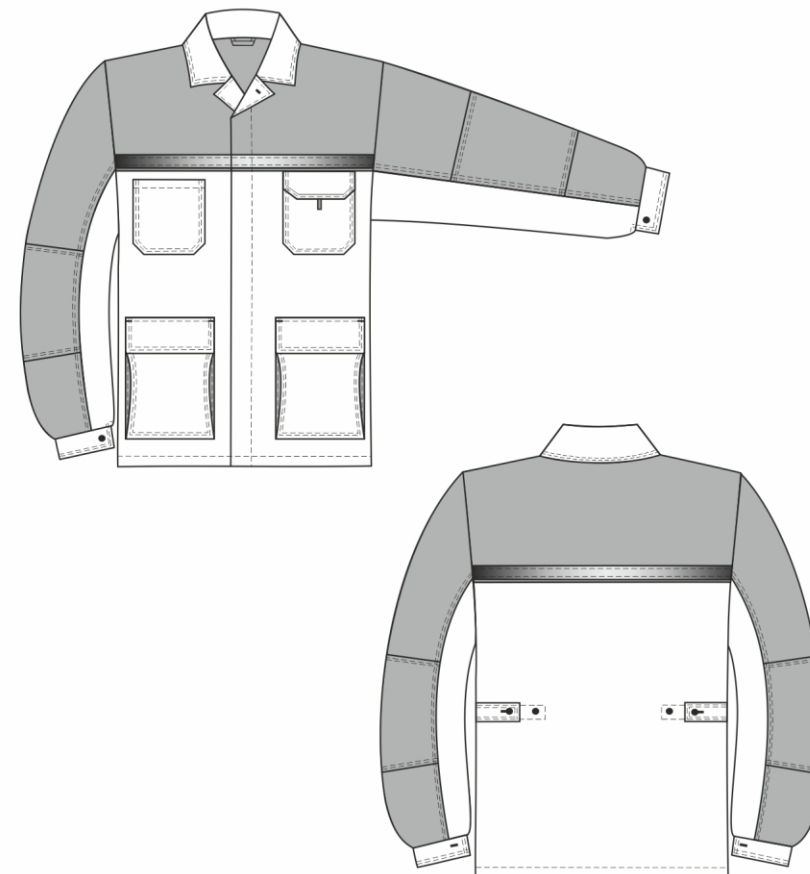
Special outfit for protecting workers from general industrial pollution and mechanical impacts.

GOST 27575-87

The products comply with the requirements of TR CU 019/2011

- Corporate symbols can be applied

Workwear for protection from general industrial pollution



MEN'S JACKET M 6141-10

- central concealed fastening with loops and buttons
- reinforcing pads in the elbow area
- adjustment width
- reflective elements

MATERIALS:

- **Fabric:** «Greta» art. 4C5-KB dyed + water-repellent
- **Composition:** cotton 51%, polyester 49%
- **Weight:** 210 g/m²
- **Finishing:** water-repellent

3Mи

protection from general industrial pollution and mechanical impact

Workwear for protection from general industrial pollution



WOMEN'S JACKET M 6143-10

PURPOSE:

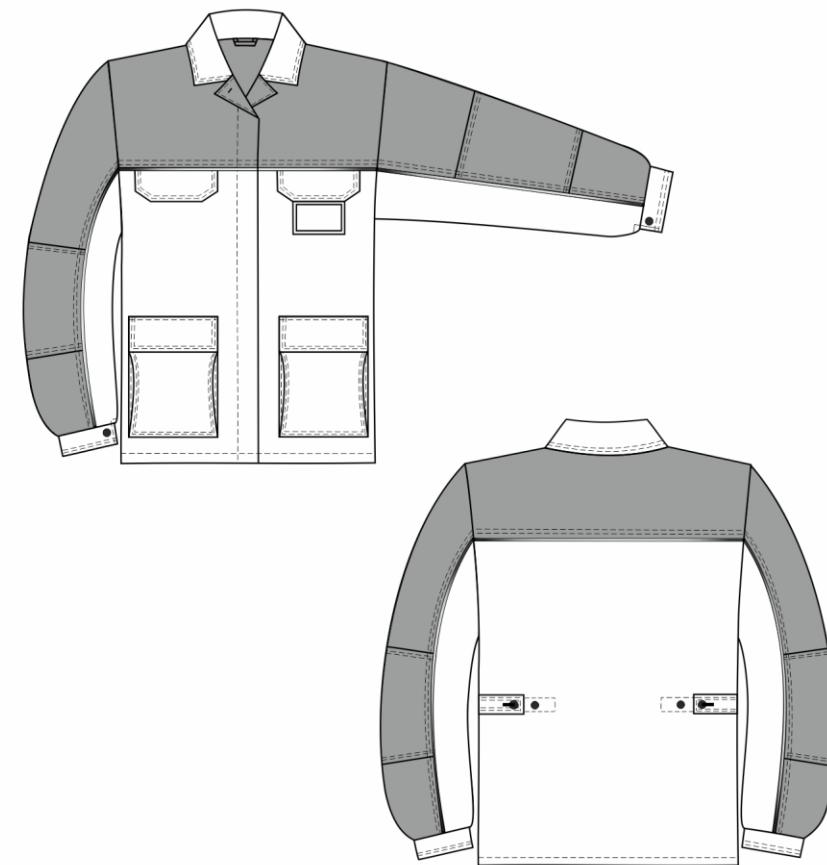
Special outfit for protecting workers from general industrial pollution and mechanical impacts.

GOST 27574-87

The products comply with the requirements of TR CU 019/2011

- Corporate symbols can be applied
- Reflective strip insert is possible

Workwear for protection from general industrial pollution



WOMEN'S JACKET M 6143-10

- central concealed fastening with loops and buttons
- reinforcing pads in the elbow area
- adjustment width
- reflective elements

MATERIALS:

- **Fabric:** «Greta» art. 4C5-KB dyed + water-repellent
- **Composition:** cotton 51%, polyester 49%
- **Weight:** 210 g/m²
- **Finishing:** water-repellent

3Mи

protection from general industrial pollution and mechanical impact

Workwear for protection from general industrial pollution



MEN'S BIB SUIT M 6012-09

PURPOSE:

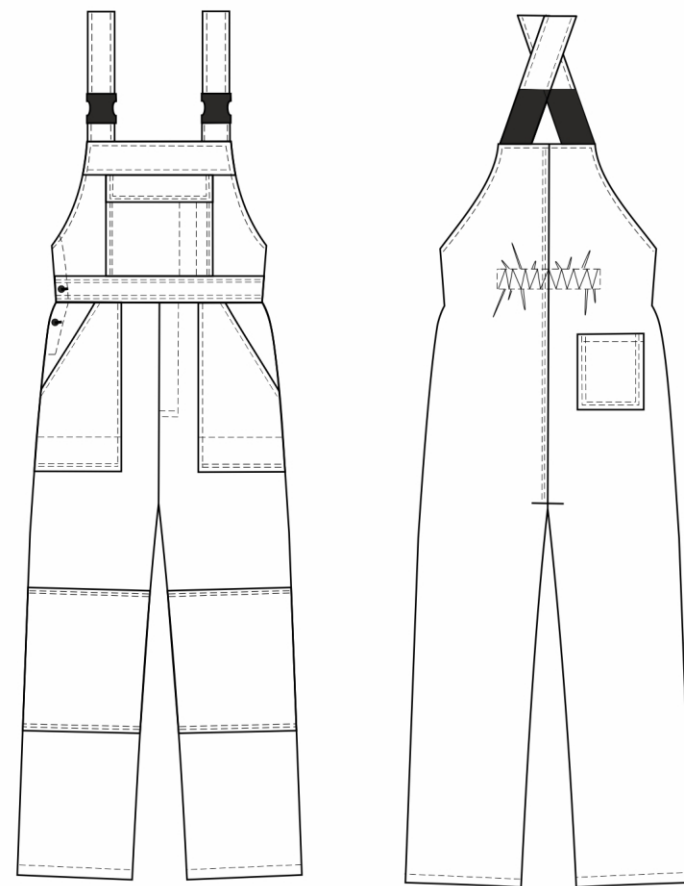
Special outfit for protecting workers from general industrial pollution and mechanical impacts.

GOST 27575-87

The products comply with the requirements of TR CU 019/2011

- Corporate symbols can be applied
- Reflective strip insert is possible

Workwear for protection from general industrial pollution



MEN'S BIB SUIT M 6012-09

- fastening in the side seam and fly with loops and buttons
- reinforcing pads in the knee area
- adjustment width

MATERIALS:

- **Fabric:**
«Greta» art. 4C5-KB dyed + water-repellent
- **Composition:**
cotton 51%, polyester 49%
- **Weight:**
210 g/m²
- **Finishing:**
water-repellent

3Mи

protection from general industrial pollution and mechanical impact

Workwear for protection from general industrial pollution



MEN'S BIB SUIT M 6012A-09

PURPOSE:

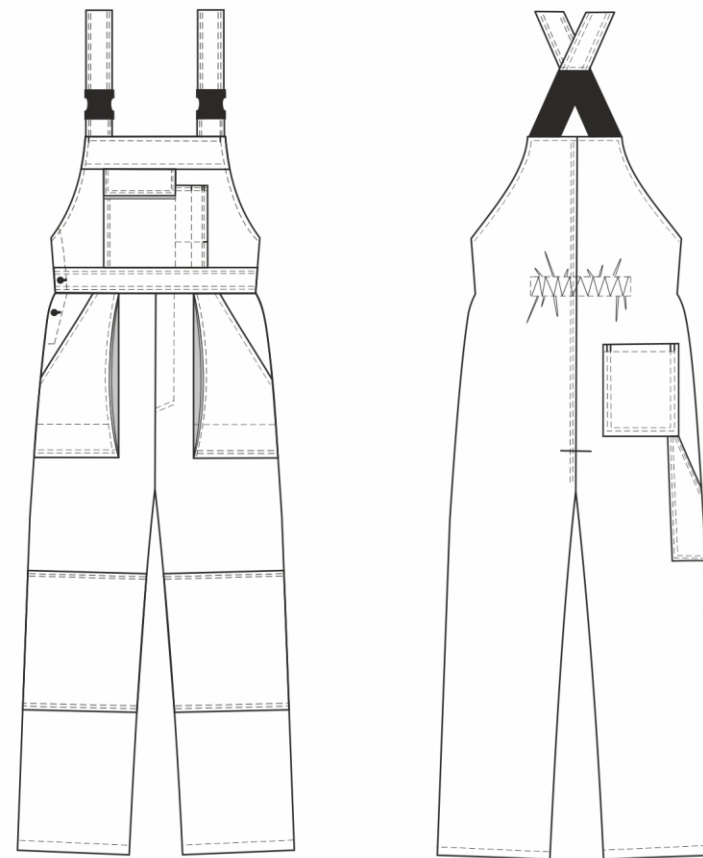
Special outfit for protecting workers from general industrial pollution and mechanical impacts.

GOST 27575-87

The products comply with the requirements of TR CU 019/2011

- Corporate symbols can be applied
- Reflective strip insert is possible

Workwear for protection from general industrial pollution



MEN'S BIB SUIT M 6012A-09

- fastening in the side seam and fly with loops and buttons
- reinforcing pads in the knee area
- adjustment width

MATERIALS:

- **Fabric:** «Greta» art. 4C5-KB dyed + water-repellent
- **Composition:** cotton 51%, polyester 49%
- **Weight:** 210 g/m²
- **Finishing:** water-repellent

3Mи

protection from general industrial pollution and mechanical impact

Workwear for protection from general industrial pollution



MEN'S TROUSERS M 6013-09

PURPOSE:

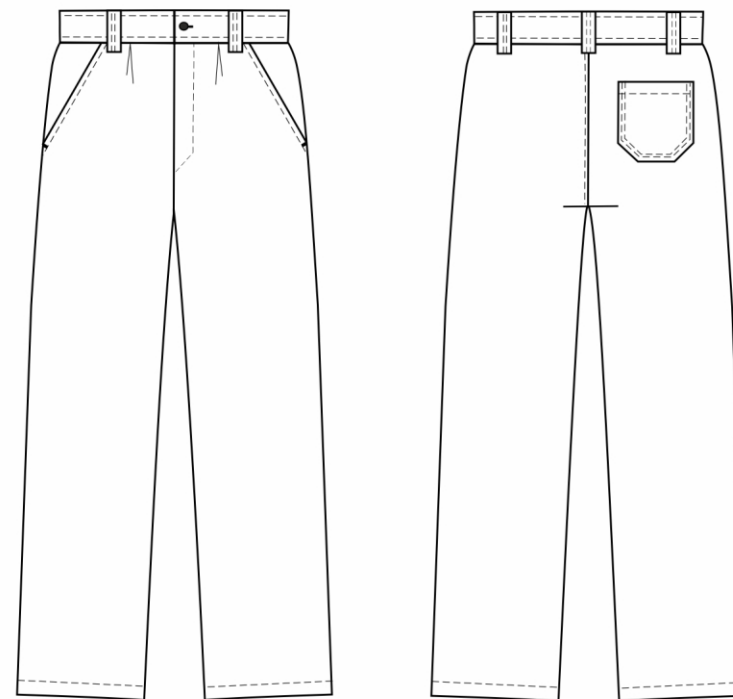
Special outfit for protecting workers from general industrial pollution and mechanical impacts.

GOST 27575-87

The products comply with the requirements of TR CU 019/2011

- Corporate symbols can be applied

Workwear for protection from general industrial pollution



MEN'S TROUSERS M 6013-09

- fly closure with zipper

MATERIALS:

- **Fabric:** «Greta» art. 4C5-KB dyed + water-repellent
- **Composition:** cotton 51%, polyester 49%
- **Weight:** 210 g/m²
- **Finishing:** water-repellent

3Ми

protection from general industrial pollution and mechanical impact

Workwear for protection from general industrial pollution



MEN'S ROBE M 6027-09

PURPOSE:

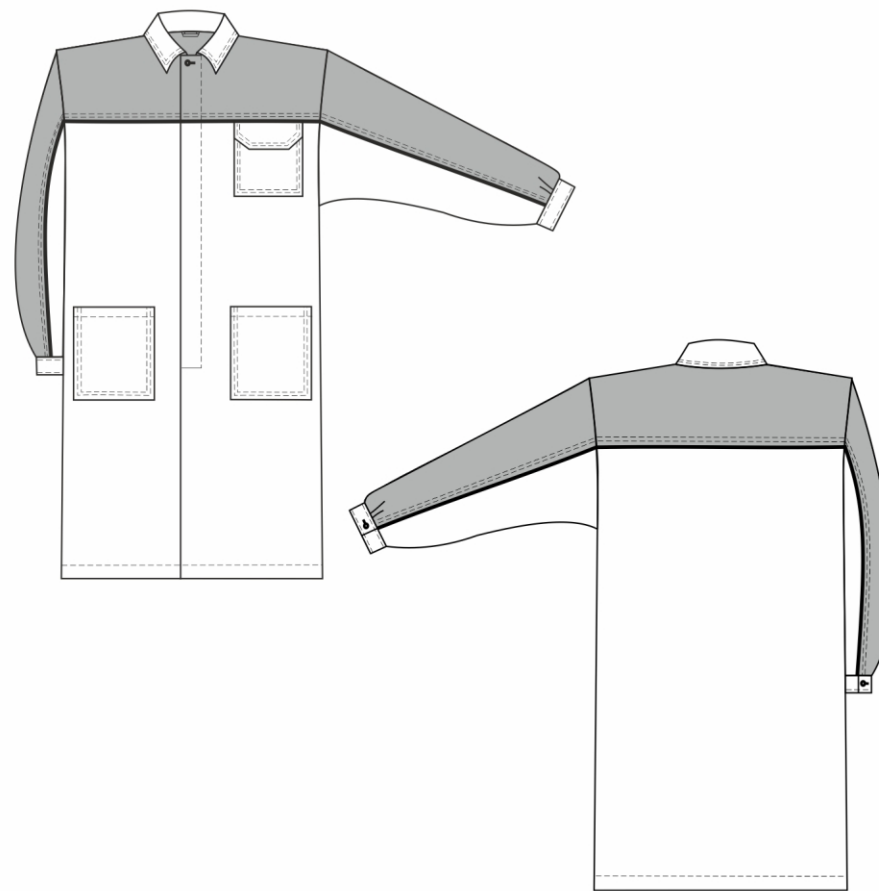
Special outfit for protecting workers from general industrial pollution and mechanical impacts.

GOST 12.4.132-83

The products comply with the requirements of TR CU 019/2011

- Corporate symbols can be applied
- Reflective strip insert is possible

Workwear for protection from general industrial pollution



MEN'S ROBE M 6027-09

- central concealed fastening with loops and buttons
- reflective piping

MATERIALS:

- **Fabric:** «Greta» art. 4C5-KB dyed + water-repellent
- **Composition:** cotton 51%, polyester 49%
- **Weight:** 210 g/m²
- **Finishing:** water-repellent

3Mи

protection from general industrial pollution and mechanical impact

Workwear for protection from general industrial pollution



MEN'S ROBE M 6147-10

PURPOSE:

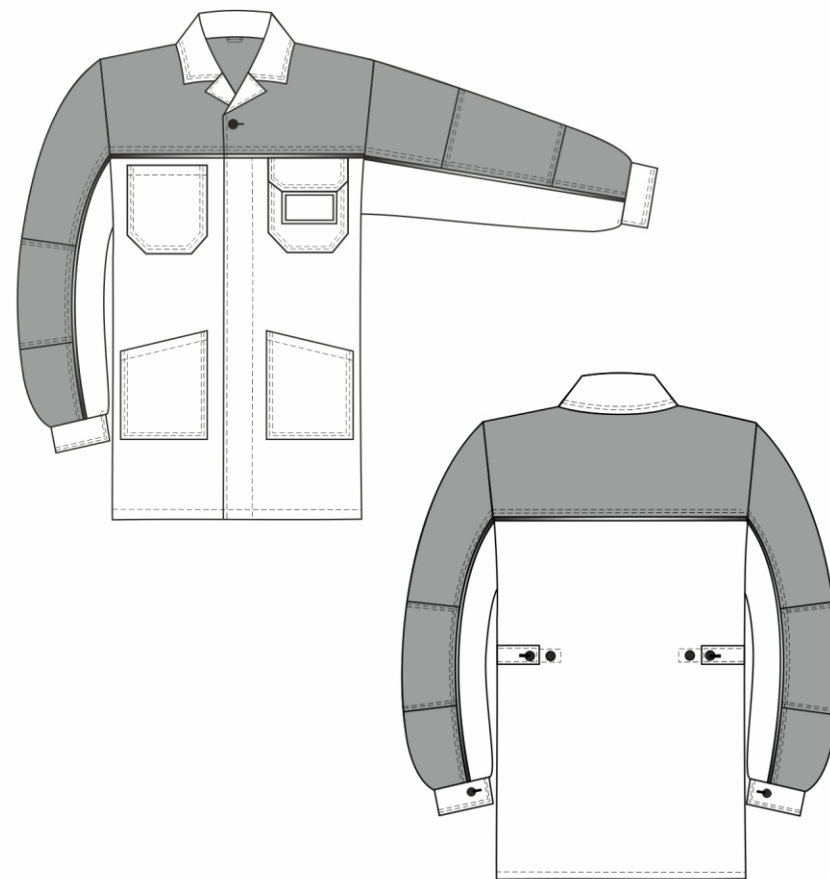
Special outfit for protecting workers from general industrial pollution and mechanical impacts.

GOST 12.4.132-83

The products comply with the requirements of TR CU 019/2011

- Corporate symbols can be applied
- Reflective strip insert is possible

Workwear for protection from general industrial pollution



MEN'S ROBE M 6147-10

- central concealed fastening with loops and buttons
- reinforcing pads in the elbow area
- reflective piping

MATERIALS:

- **Fabric:** «Greta» art. 4C5-KB dyed + water-repellent
- **Composition:** cotton 51%, polyester 49%
- **Weight:** 210 g/m²
- **Finishing:** water-repellent

3Mи

protection from general industrial pollution and mechanical impact

Workwear for protection from general industrial pollution



* Fabric color - grey

WOMEN'S ROBE M 00019-0

PURPOSE:

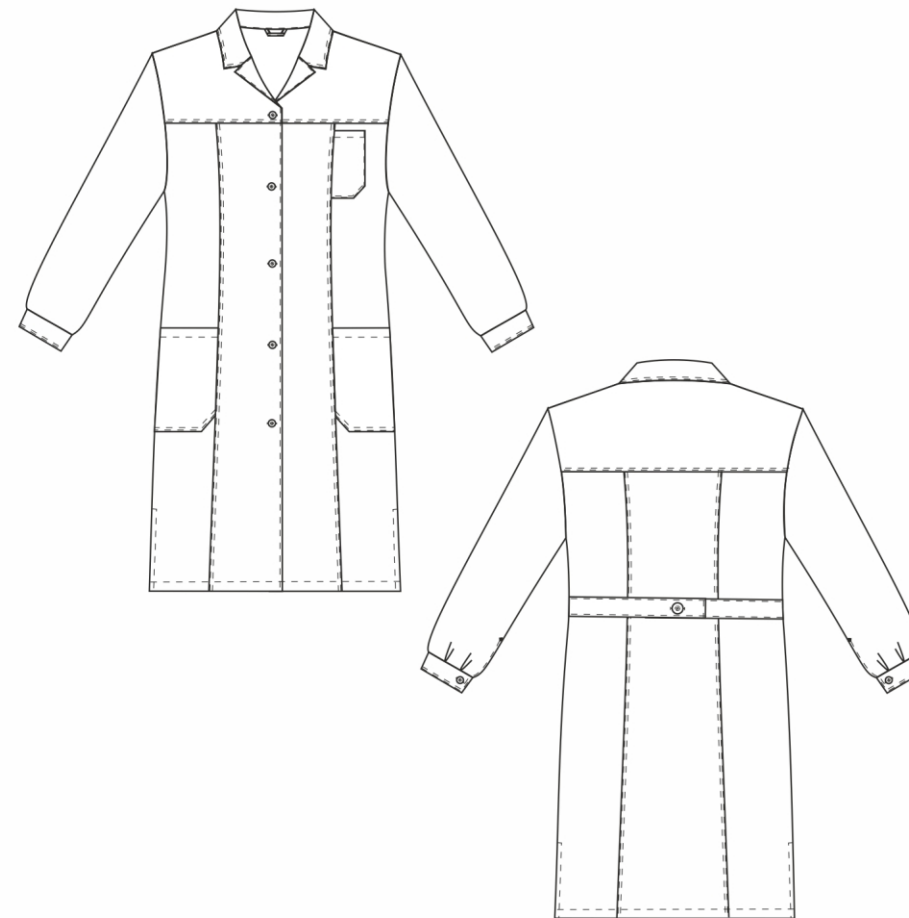
Special outfit for protecting workers from general industrial pollution and mechanical impacts.

GOST 12.4.131-83

The products comply with the requirements of TR CU 019/2011

- Corporate symbols can be applied
- Reflective strip insert is possible

Workwear for protection from general industrial pollution



WOMEN'S ROBE M 00019-0

- central fastening with loops and buttons
- adjustable back width

MATERIALS:

- **Fabric:** «Master-1» art. 04C39-KB dyed+antistatic
- **Fabric color:** Grey
- **Composition:** cotton 67%, polyester 33%
- **Weight:** 143 g/m²
- **Finishing:** antistatic

3Mи

protection from general industrial pollution and mechanical impact

Workwear for protection from general industrial pollution



HIGH-VISIBILITY VEST M 2309Г-02

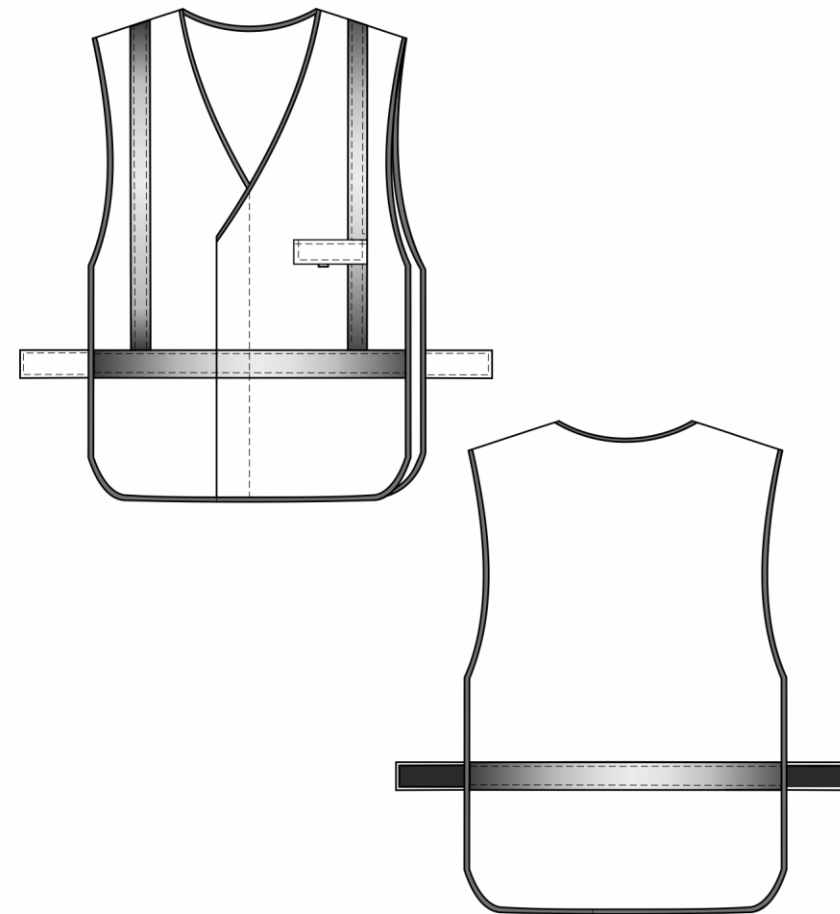
PURPOSE:

Special outfit for visual identification at night and during the day at any time of the year.

In places with increased danger: on highways and railways, in the construction of houses, etc., and by employees of special services, rescuers, law enforcement agencies and others.

The use of fluorescent fabrics allows for maximum contrast between a person and the surrounding area.

Workwear for protection from general industrial pollution



HIGH-VISIBILITY VEST M 2309Г-02

- zipper
- valve with a loop for attaching a badge
- width adjustment using straps with textile fastener
- visual protection elements: reflective tape 5 cm and 25 cm wide

MATERIALS:

- **Fabric:** art. 05C8-KB dyed + water-repellent
- **Composition:** polyester 100%.
- **Weight:** 150 g/m²
- **Finishing:** water-repellent

Co

signal

Workwear for protection from general industrial pollution



MEN'S HIGH-VISIBILITY JACKET

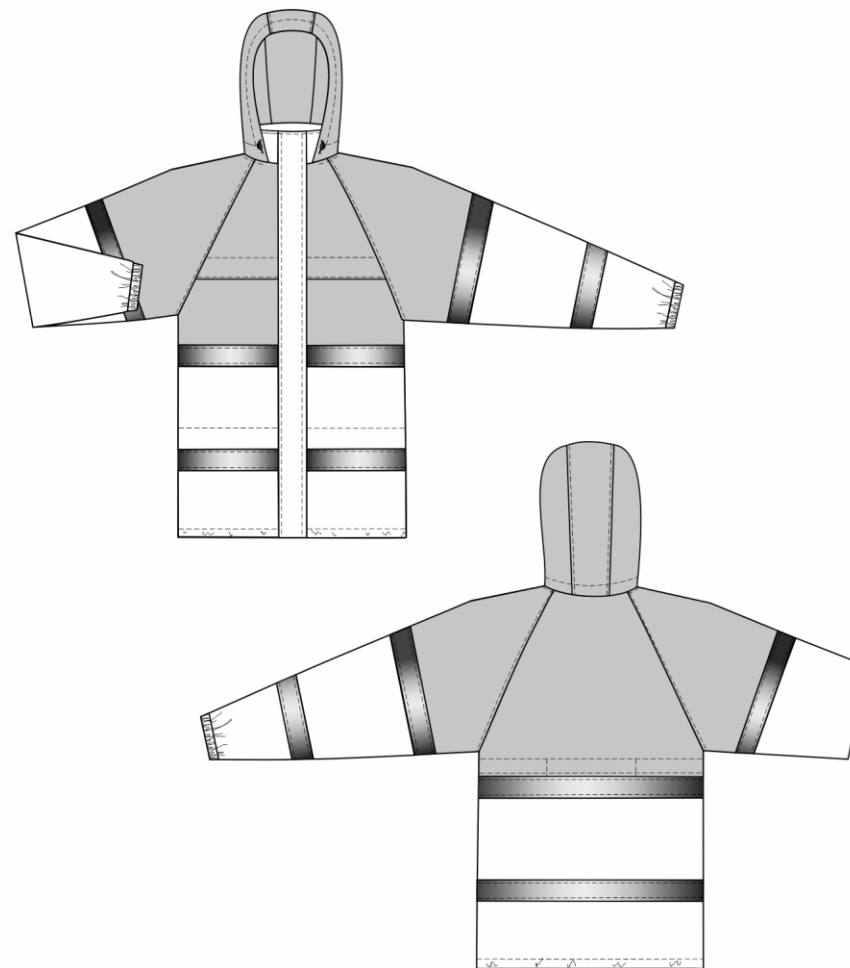
M 6149-10

PURPOSE:

Special outfit for visual identification at night and during the day at any time of the year.

The use of fluorescent fabrics allows for maximum contrast between a person and the surrounding area.

Workwear for protection from general industrial pollution



MEN'S HIGH-VISIBILITY JACKET

M 6149-10

- zipper
- stand collar
- set-in hood
- width adjustment at the bottom of the jacket
- visual security elements: double reflective tape 5 cm wide

MATERIALS:

- Fabric: art. 05C8-KB polyurethane film
- Composition: polyester 100%.
- Weight: 150 g/m²
- Finishing: polyurethane film coating

Co

signal

Workwear for protection from general industrial pollution



MEN'S RAINCOAT M 0898-0

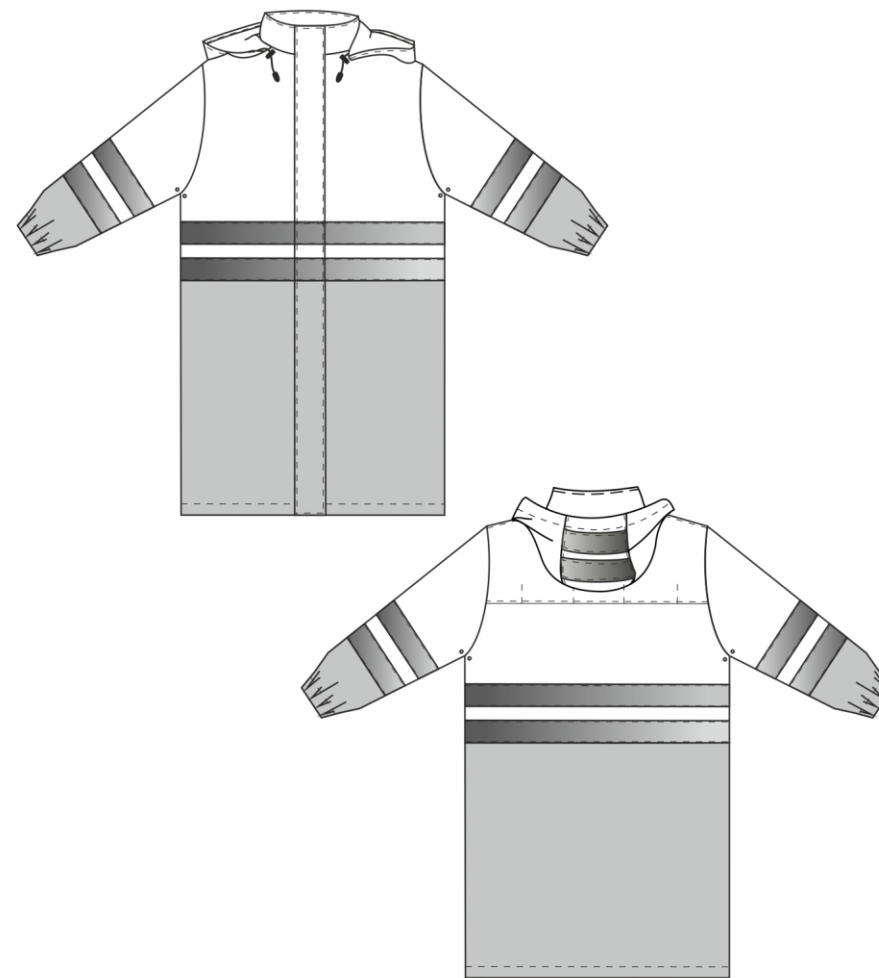
PURPOSE:

Raincoat for water protection as high visibility workwear.

The use of fluorescent fabrics allows for maximum contrast between a person and the surrounding area.

- Corporate symbols can be applied

Workwear for protection from general industrial pollution



MEN'S RAINCOAT M 0898-0

- zip fastening with wind film
- fixed hood
- ventilation holes
- reflective elements

MATERIALS:

- **Fabric:**
art. 09C13-KBK
dyed + breathable polyurethane film coating
- **Composition:**
polyester 100%
- **Weight:**
171 g/m²
- **Finishing:**
water-repellent, wash-resistant,
microporous polyurethane film coating

By waterproof protection

Workwear for protection from general industrial pollution



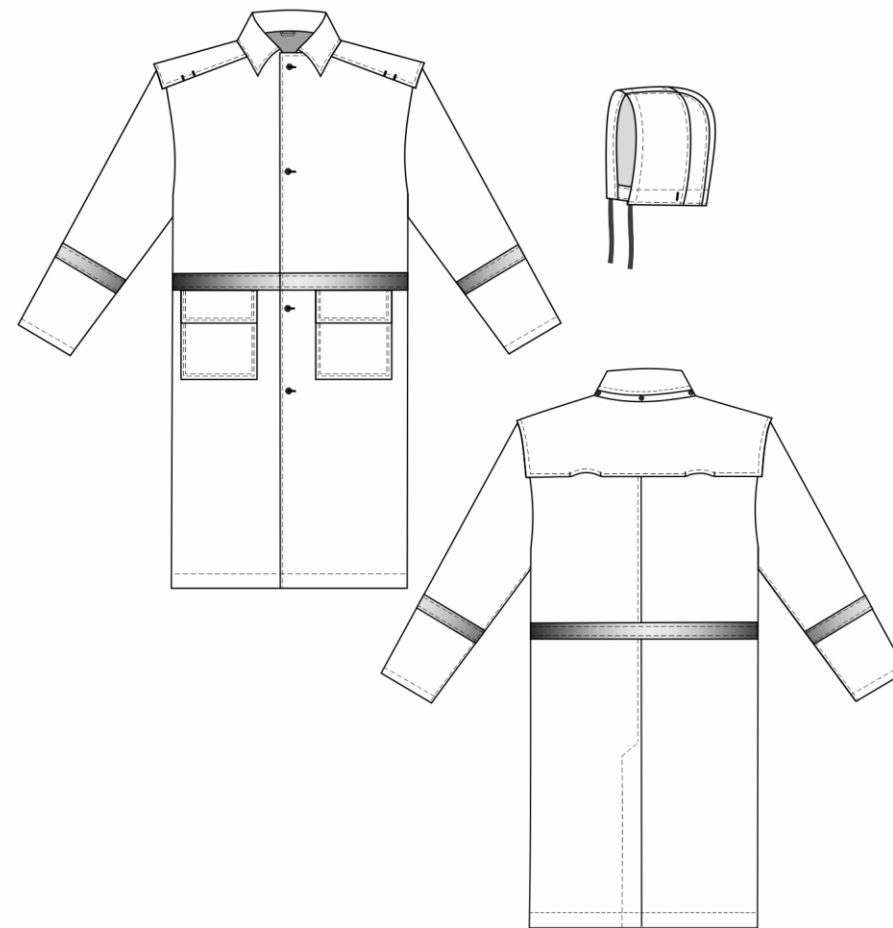
MEN'S RAINCOAT M 2355A-02/1

PURPOSE:

Water protection raincoat
for oil and gas companies.

- Corporate symbols can be applied

Workwear for protection from general industrial pollution



MEN'S RAINCOAT M 2355A-02/1

- central fastening with loops and buttons
- detachable hood
- an overhead protective yoke that extends to the front in the form of shoulder pads
- ventilation holes
- reflective elements

MATERIALS:

- **Fabric:**
anti-electrostatic «Diorite-M» art. 03C8-KBK
breathable polyurethane film coating
- **Composition:**
polyester 63%, cotton 37%
- **Weight:**
286 g/m²
- **Finishing:**
water-repellent, wash-resistant,
microporous polyurethane film coating

By  waterproof protection

Workwear for protection from general industrial pollution



INSULATED MEN'S SUIT M 3767-07

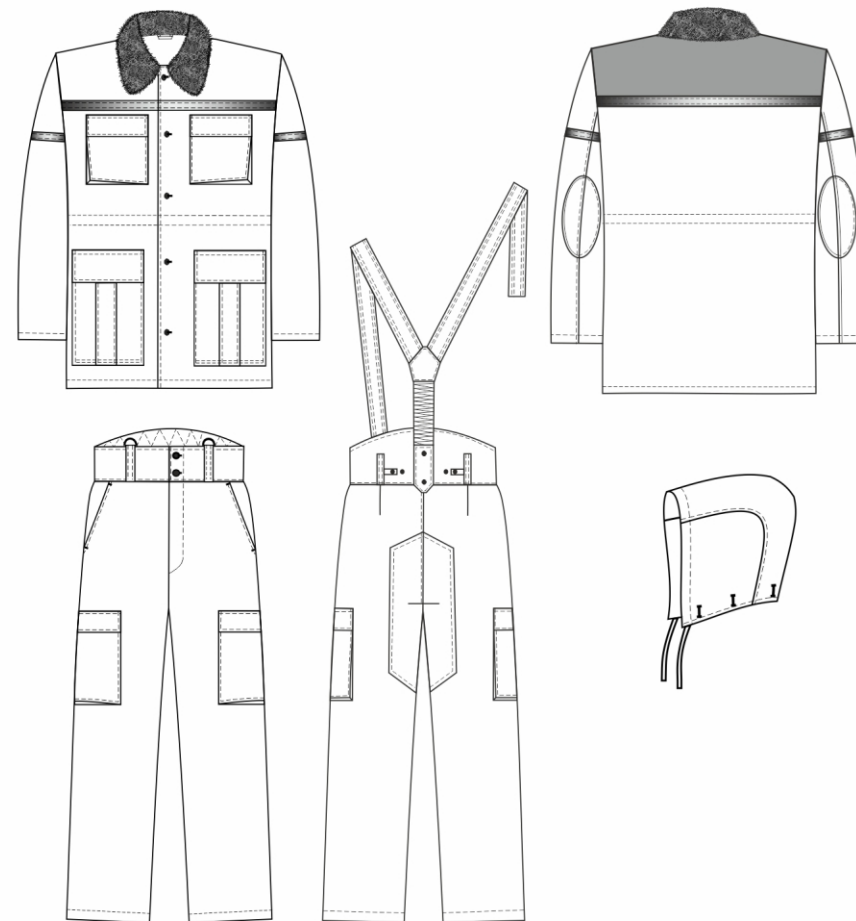
PURPOSE:

Special product for protecting workers from low temperatures in various industries.

Combines increased wear resistance, heat-insulating properties with sufficient ease and comfort in work.

- Corporate symbols can be applied

Workwear for protection from low temperatures



INSULATED MEN'S SUIT M 3767-07

- jacket with fur turn-down collar, trousers
- detachable hood
- fastening with through loops and buttons and a wind film
- reinforcing pads in the elbow area
- reinforcing pads in the area of the seat
- adjustment width
- reflective elements

MATERIALS:

- Fabric: «Greta» art. 4C5-KB dyed + water-repellent
- Composition: cotton 51%, polyester 49%
- Weight: 210 g/m²
- Finishing: water-repellent
- Insulation: jacket - weight 200 g/m² (3 layers); trousers - weight 200 g/m² (2 layers)
- Lining: cotton

TH protection from low air temperatures

Workwear for protection from low temperatures



INSULATED MEN'S SUIT M 00184-0

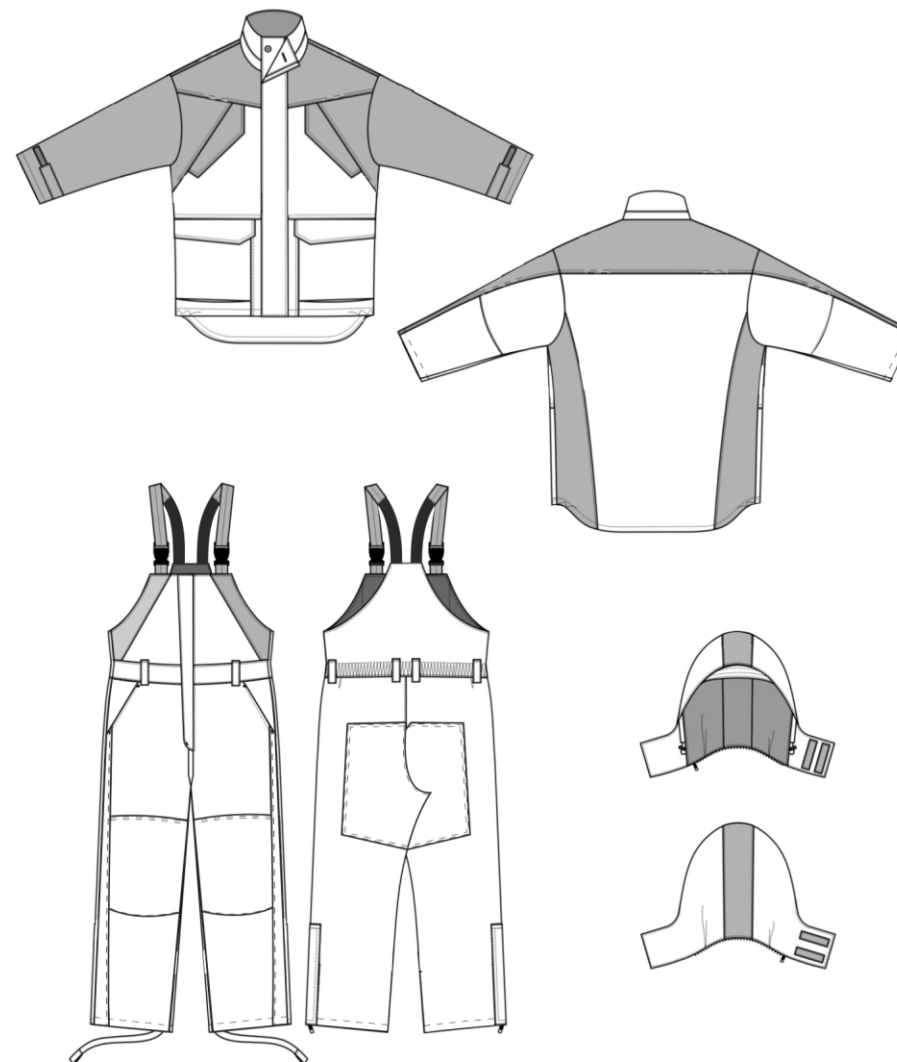
PURPOSE:

Special product for protecting workers from low temperatures in various industries.

Combines increased wear resistance, heat-insulating properties with sufficient ease and comfort in work.

- Corporate symbols can be applied
- Reflective strip insert is possible

Workwear for protection from low temperatures



INSULATED MEN'S SUIT M 00184-0

- jacket and overalls
- jacket with fastening zipper covered with two stripes
- removable hood
- semi overalls with a central zip fastening, covered by a packet with slits along the bottom of the side seams

MATERIALS:

- Fabric: «Greta» art. 4C5-KB dyed + water-repellent
- Composition: cotton 51%, polyester 49%
- Weight: 210 g/m²
- Finishing: water-repellent
- Insulation: jacket - weight 200 g/m²; semi-overalls - weight 200 g/m²
- Lining: polyester 100%

TH protection from low air temperatures

Workwear for protection from low temperatures



MEN'S INSULATED JACKET M 2358-02

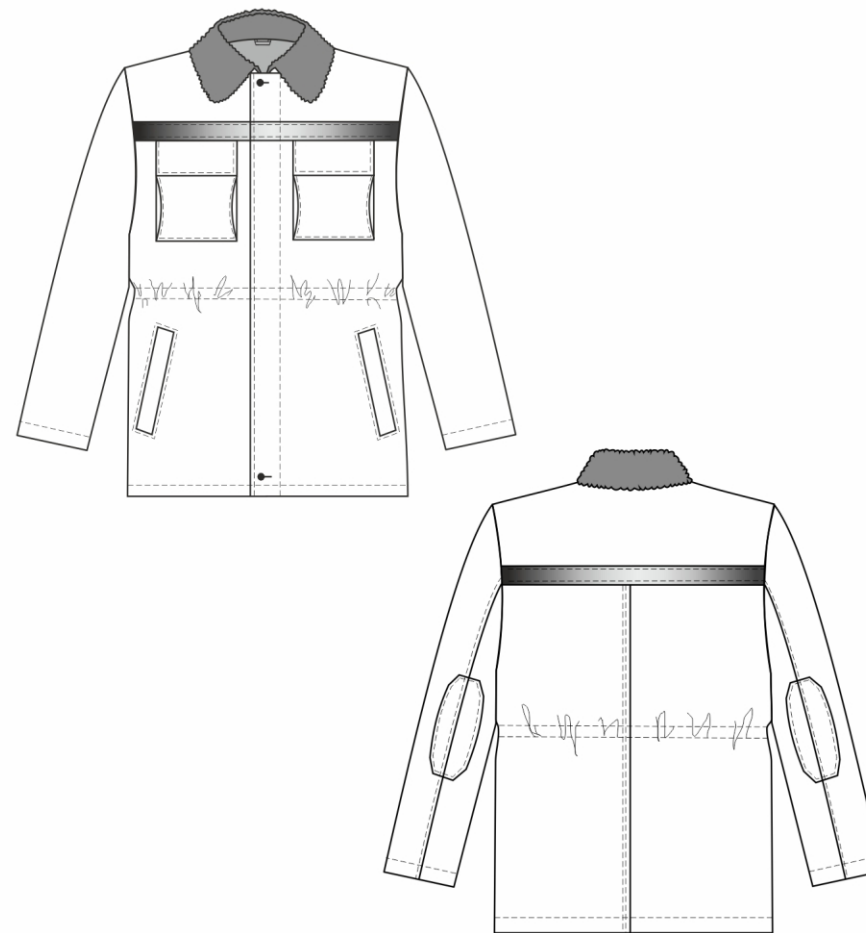
PURPOSE:

Special product for protecting workers from low temperatures, wind, general industrial pollution and mechanical damage.

Combines increased wear resistance, heat-insulating properties with sufficient ease and comfort in work.

- Corporate symbols can be applied

Workwear for protection from low temperatures



MEN'S INSULATED JACKET M 2358-02

- fur turn-down collar
- detachable hood
- central concealed fastening with three loops and buttons
- reinforcing pads in the elbow area
- knitted wristbands with sleeve lining
- adjustment width
- reflective elements

MATERIALS:

- Fabric: «Greta» art. 4C5-KB dyed + water-repellent
- Composition: cotton 51%, polyester 49%
- Weight: 210 g/m²
- Finishing: oil and water-repellent
- Insulation: weight 200 g/m²
- Lining: cotton

TH protection from low air temperatures

Workwear for protection from low temperatures



MEN'S INSULATED JACKET M 3908-08

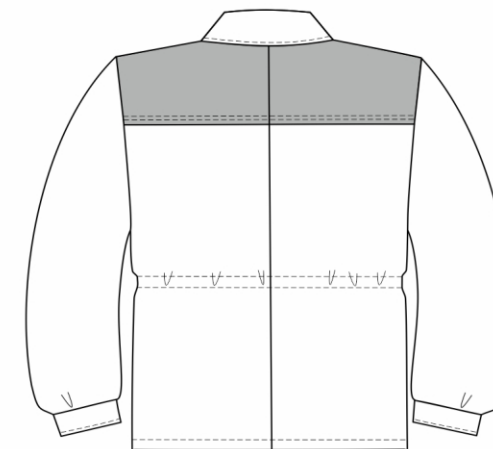
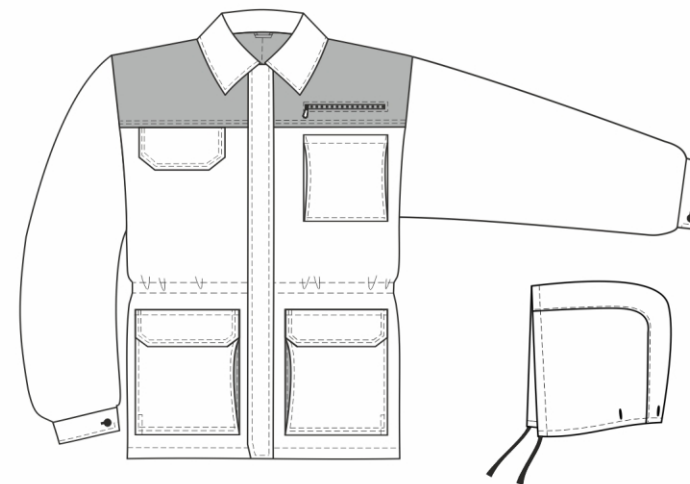
PURPOSE:

Special product for protecting workers from low temperatures in various industries.

Combines increased wear resistance, heat-insulating properties with sufficient ease and comfort in work.

- Corporate symbols can be applied
- Reflective strip insert is possible

Workwear for protection from low temperatures



MEN'S INSULATED JACKET M 3908-08

- turn-down collar
- detachable hood
- zipper
- wind flap
- adjustment width

MATERIALS:

- **Fabric:**
«Greta» art. 4C5-KB dyed + water-repellent
- **Composition:**
cotton 51%, polyester 49%
- **Weight:**
210 g/m²
- **Finishing:**
water-repellent
- **Insulation:**
weight 200 g/m²
- **Lining:**
cotton

TH protection from low air temperatures

Workwear for protection from low temperatures



MEN'S INSULATED JACKET M 6145-10

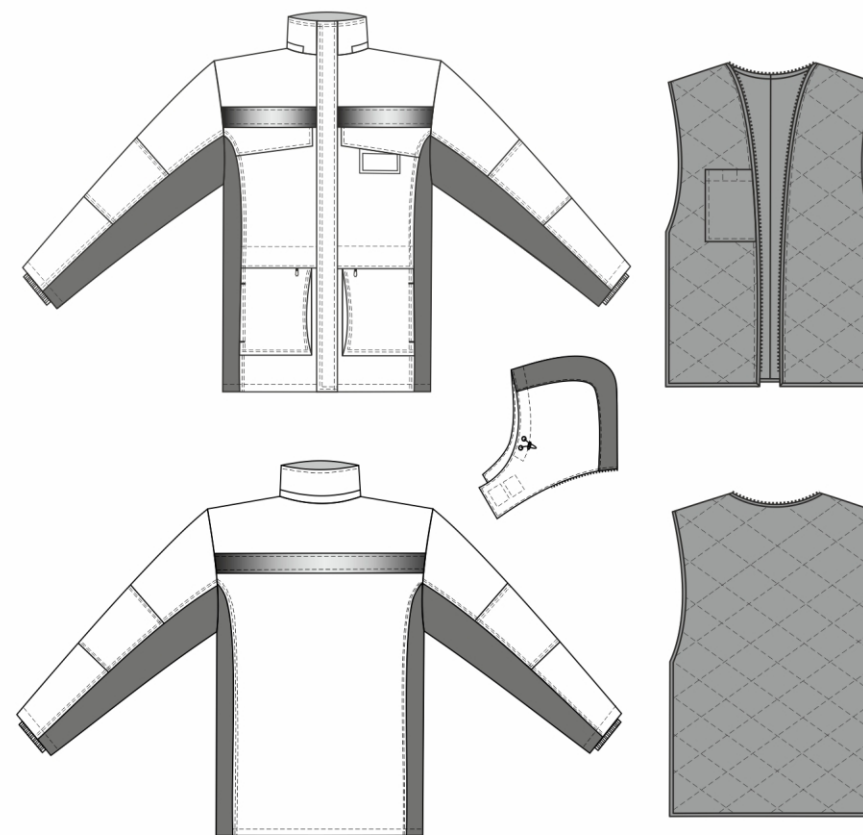
PURPOSE:

Special product for protecting workers from low temperatures in various industries.

Combines increased wear resistance, heat-insulating properties with sufficient ease and comfort in work.

- Corporate symbols can be applied

Workwear for protection from low temperatures



MEN'S INSULATED JACKET M 6145-10

- stand collar
- detachable hood
- removable insulated vest
- zipper
- wind flap
- hanging pocket for badge
- reinforcing pads in the elbow area
- knitted wristbands with lining sleeves
- adjustment width
- reflective elements

MATERIALS:

- Fabric: «Greta» art.4C5-KB dyed + water-repellent
- Composition: cotton 51%, polyester 49%
- Weight: 210 g/m²
- Finishing: water-repellent
- Insulation: weight 250 g/m²
- Insulation of removable vest: weight 150 g/m²
- Lining: polyester 100%

TH protection from low air temperatures

Workwear for protection from low temperatures



MEN'S INSULATED JACKET M 6146-10

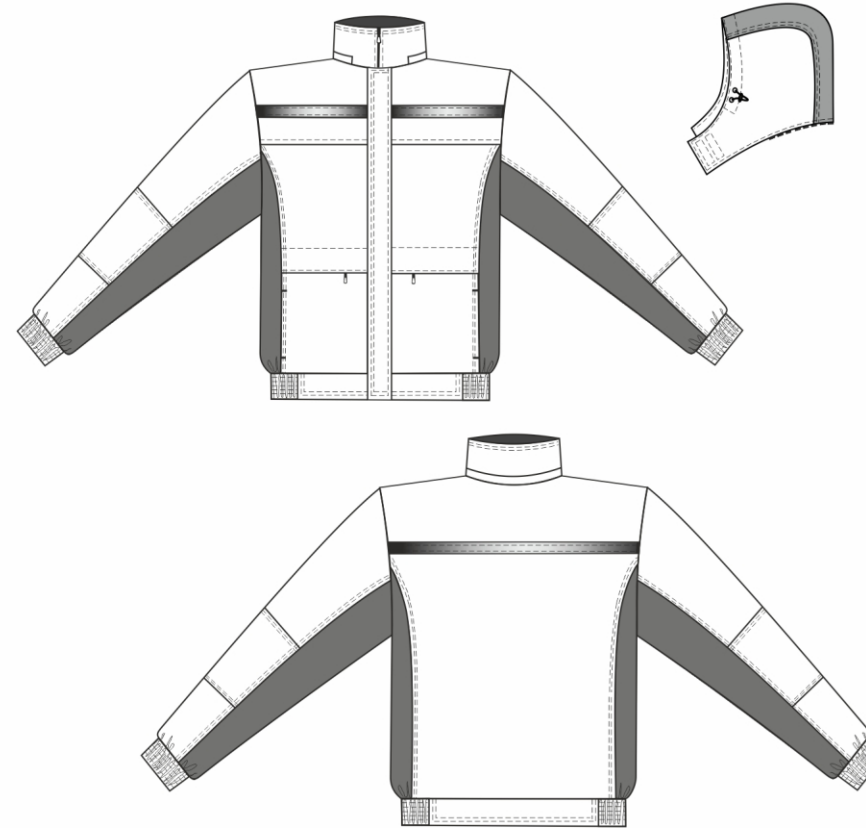
PURPOSE:

Special product for protecting workers from low temperatures in various industries.

Combines increased wear resistance, heat-insulating properties with sufficient ease and comfort in work.

- Corporate symbols can be applied

Workwear for protection from low temperatures



MEN'S INSULATED JACKET M 6146-10

- stand collar
- detachable hood
- zipper
- wind flap
- reinforcing pads in the elbow area
- adjustment width
- reflective elements

MATERIALS:

- **Fabric:**
«Greta» art. 4C5-KB dyed + water-repellent
- **Composition:**
cotton 51%, polyester 49%
- **Weight:**
210 g/m²
- **Finishing:**
water-repellent
- **Insulation:**
weight 200 g/m²
- **Lining:**
polyester 100%

TH protection from low air temperatures

Workwear for protection from low temperatures



MEN'S WARM BIB SUIT M 6148-10

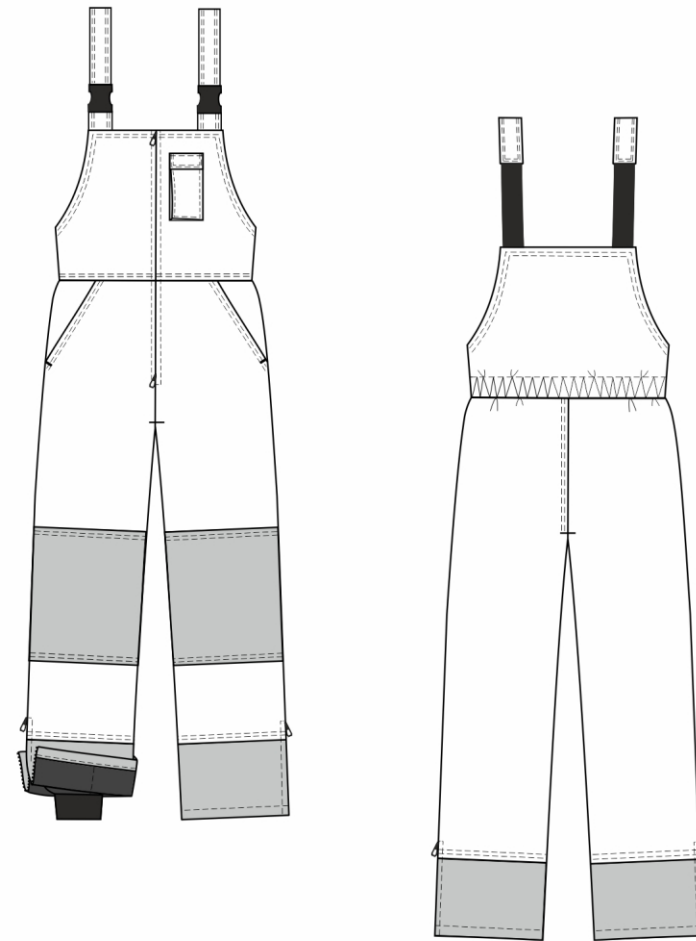
PURPOSE:

Special product for protecting workers from low temperatures in various industries.

Combines increased wear resistance, heat-insulating properties with sufficient ease and comfort in work.

- Corporate symbols can be applied
- Reflective strip insert is possible

Workwear for protection from low temperatures



MEN'S WARM BIB SUIT M 6148-10

- zipper
- internal wind flap
- reinforcing pads in the knee area
- adjustment width

MATERIALS:

- **Fabric:**
«Greta» art. 4C5-KB dyed + water-repellent
- **Composition:**
cotton 51%, polyester 49%
- **Weight:**
210 g/m²
- **Finishing:**
water-repellent
- **Insulation:**
weight 150 g/m²
- **Lining:**
polyester 100%

TH protection from low air temperatures

Workwear for protection from low temperatures

Grishin str. 87, Mogilev, 212011-BY, Republic of Belarus
tel.: +375 222 73-86-51, e-mail: mogotex@mogilev.by
www.mogotex.by